

INSTALLATION INSTRUCTION

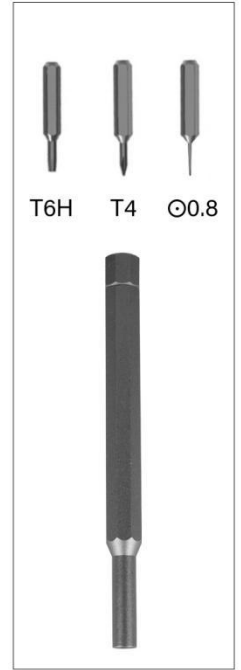
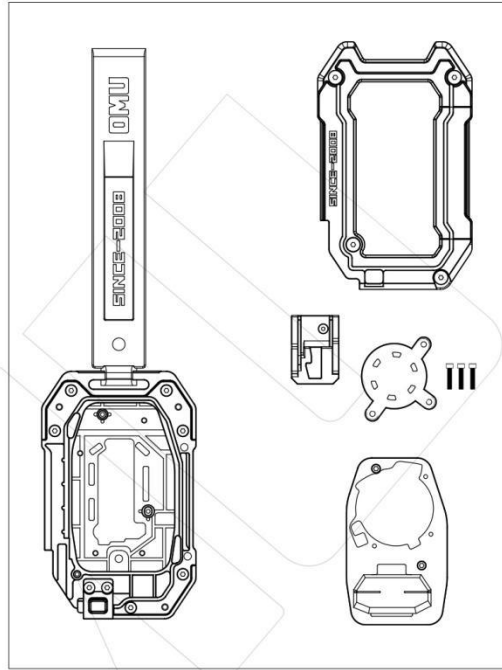
PRODUCT STRUCTURE

SKU: GKC-JW2-19659

Genesis Series:

Key Case

| PACKAGE LISTING |
|-----------------------------|
| 1.Key Case * 1 |
| 2.Battery Cover * 1 |
| 3.Screw M1.6x6mm * 3 |
| 4.Batch Head T6H/T4/0.8 * 1 |
| 5.Crowbar * 1 |



INSTALLATION DIRECTION

Compatible for Jeep Wrangler JL JT

1

Use a flat screwdriver to pry the original car key

2

Remove the battery

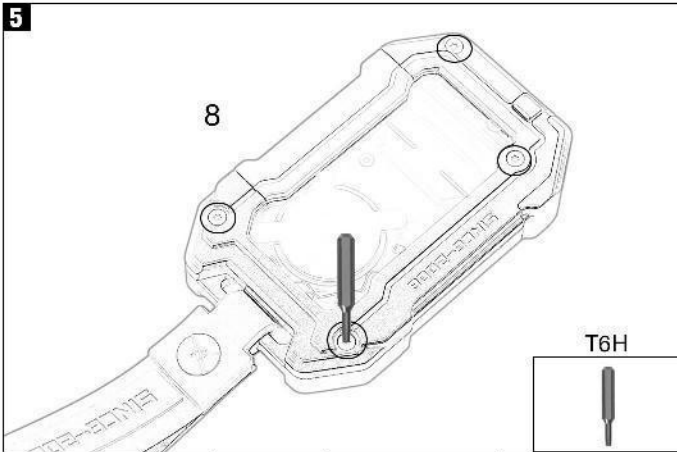
3

Remove the chip and button

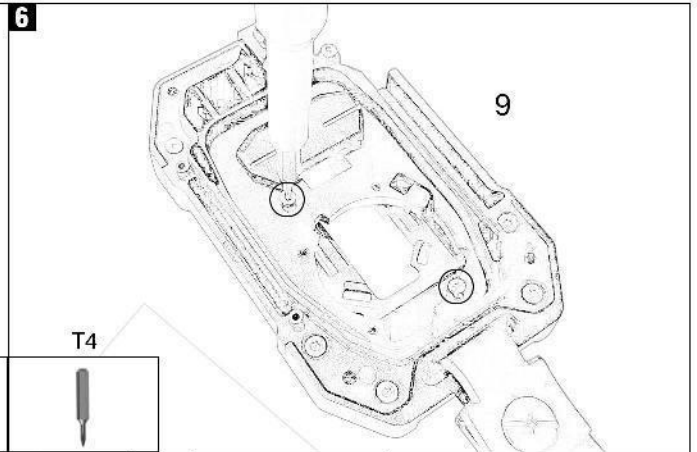
4

Pry out the original manual key of the car

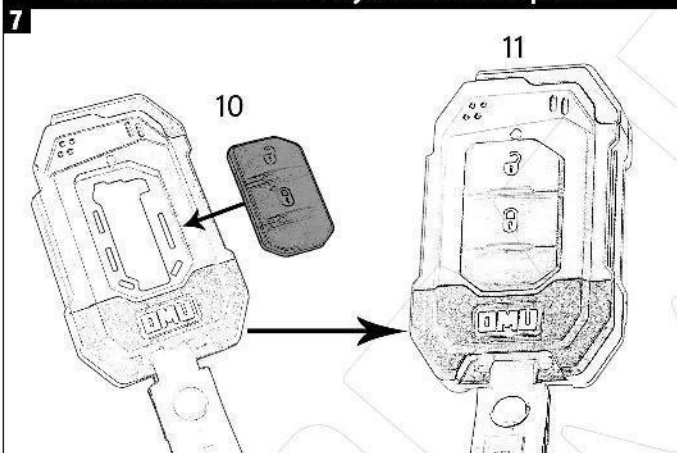
INSTALLATION INSTRUCTION



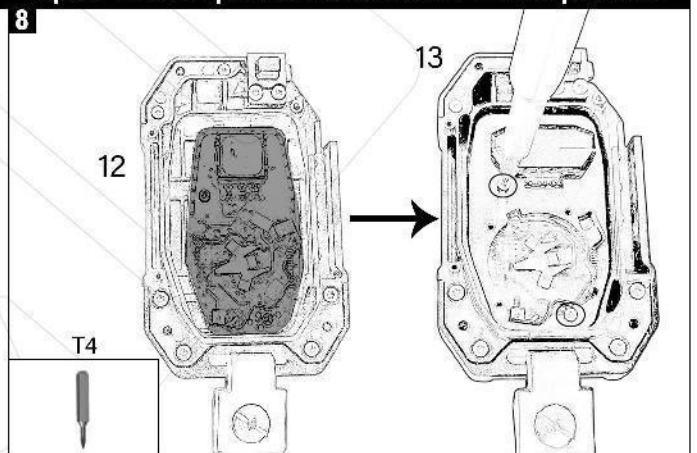
Take out the new key case and open it



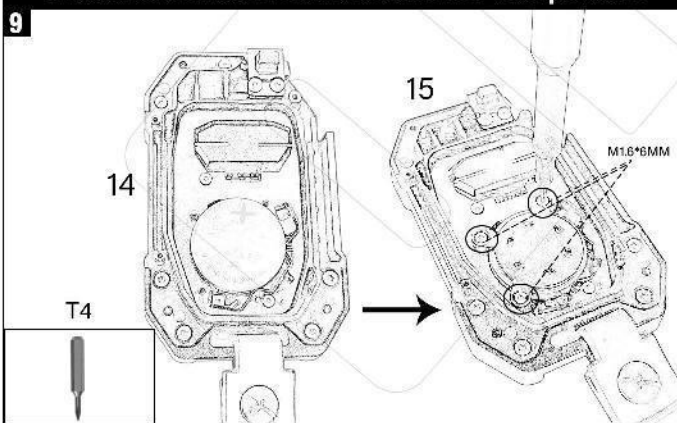
Open the chip cover as shown in the picture



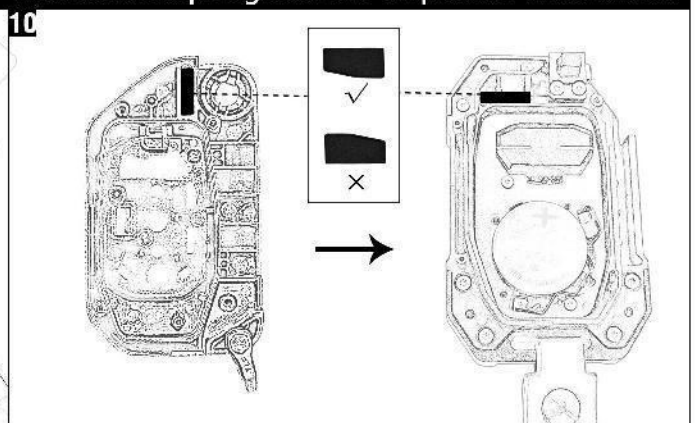
Install the buttons as shown in the picture



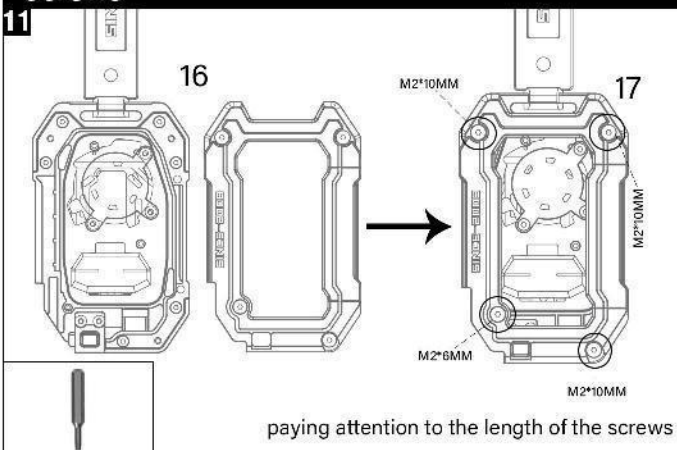
Insert the chip. Tighten the chip cover with screws



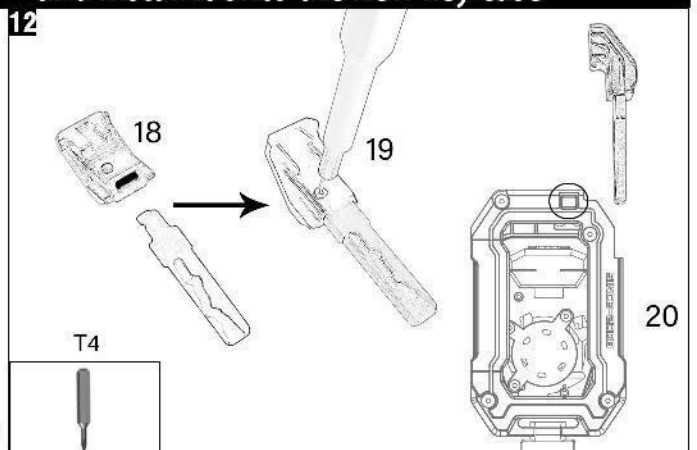
Insert the battery cover and tighten the screws



Remove the module from the original key and install it onto the new key case



Cover and tighten the screws



Tighten the manual key as shown in the picture, Press and insert the key. Installation completed