

INSTALLATION INSTRUCTION

PRODUCT STRUCTURE

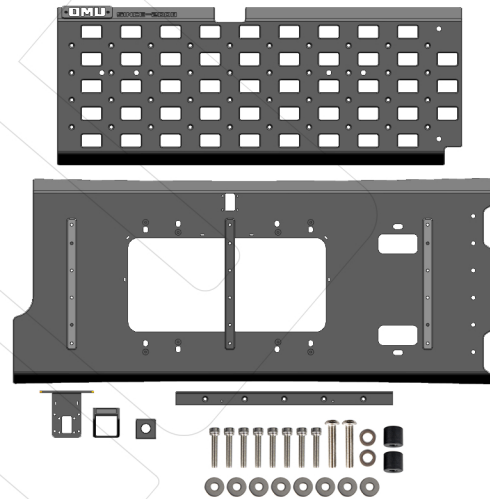
SKU: GMP-JW2--21348

Genesis Series:

Multi-Function Tailgate Expansion Board

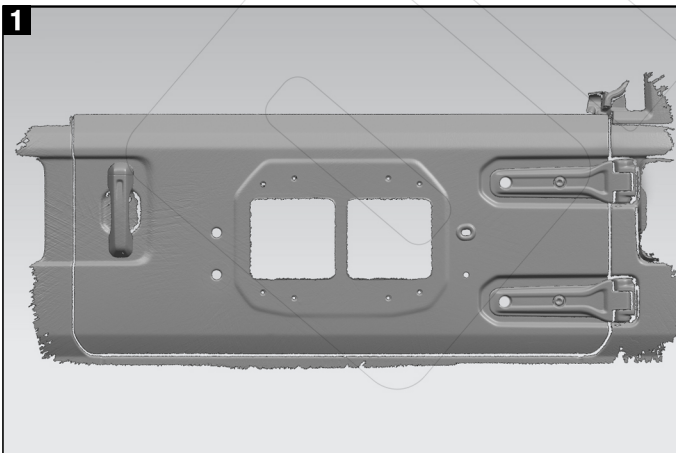
PACKAGE LISTING

1. Multi-Function Tailgate Expansion Board x1
2. M10 x 60mm Hex Bolt x2
3. M8 x 40mm Hex Bolt x8
4. M10 Flat Washer x2
5. M8 Flat Washer x8
6. Round Spacer x2

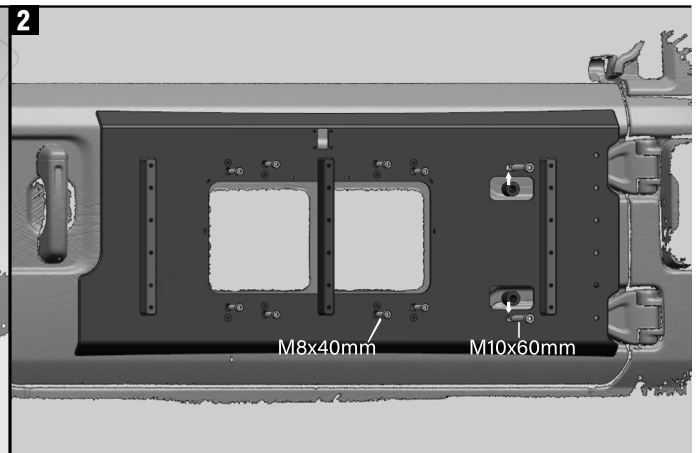


INSTALLATION DIRECTION

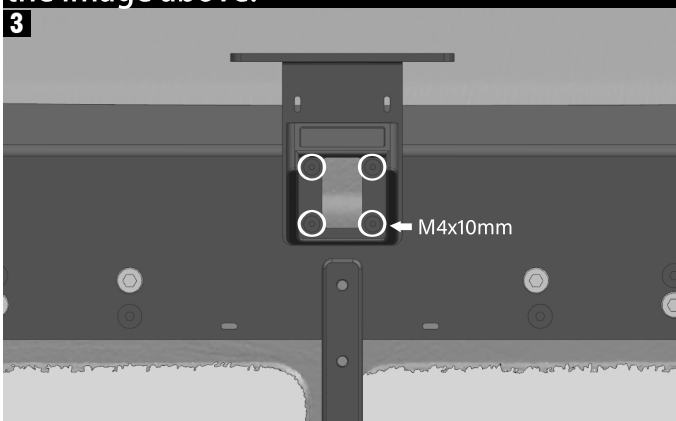
Compatible for Jeep Wrangler JL



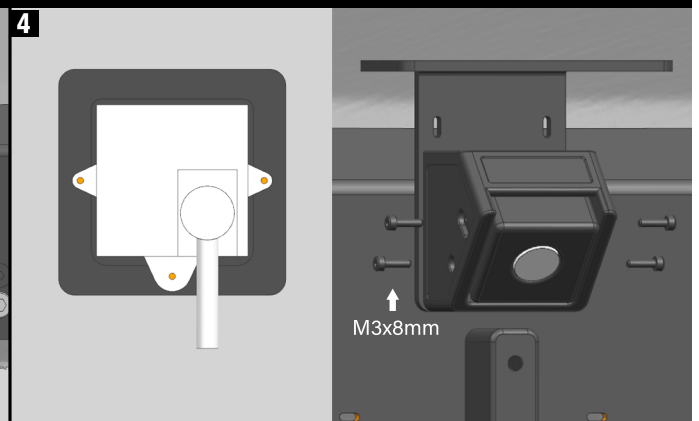
1 Remove original vehicle parts as shown in the image above.



2 Install the bottom section first.

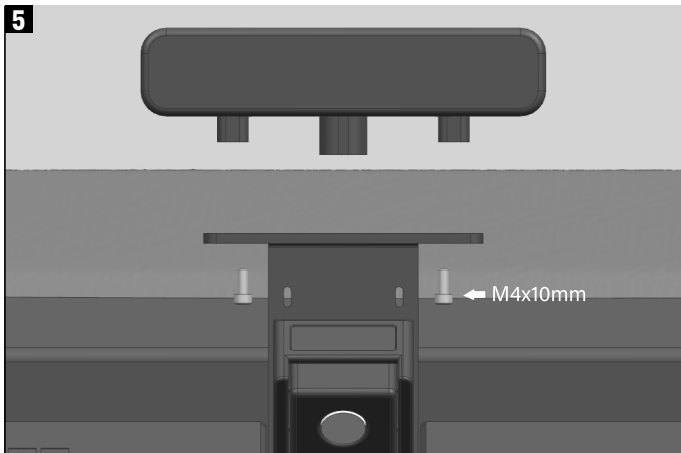


3 Install the reverse light bracket and the reverse camera bracket.

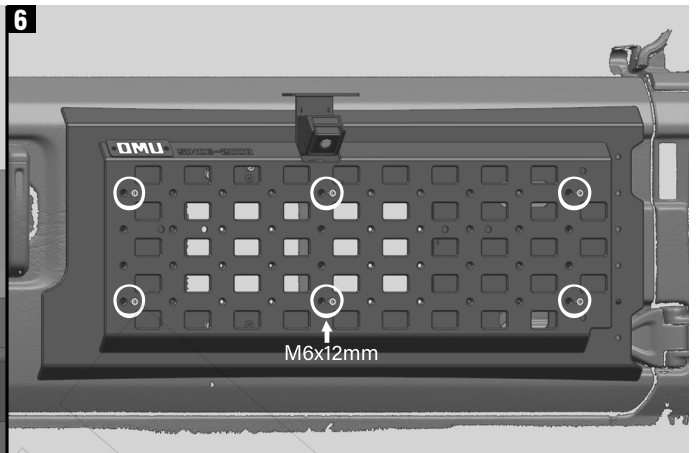


4 Install the reverse camera.

INSTALLATION INSTRUCTION



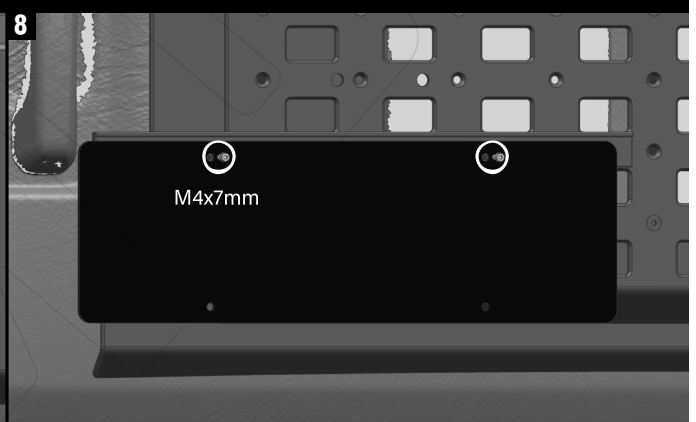
Install the reverse light.



Install the expansion plate.



Install the license plate bracket.



Install the license plate.



Installation completed